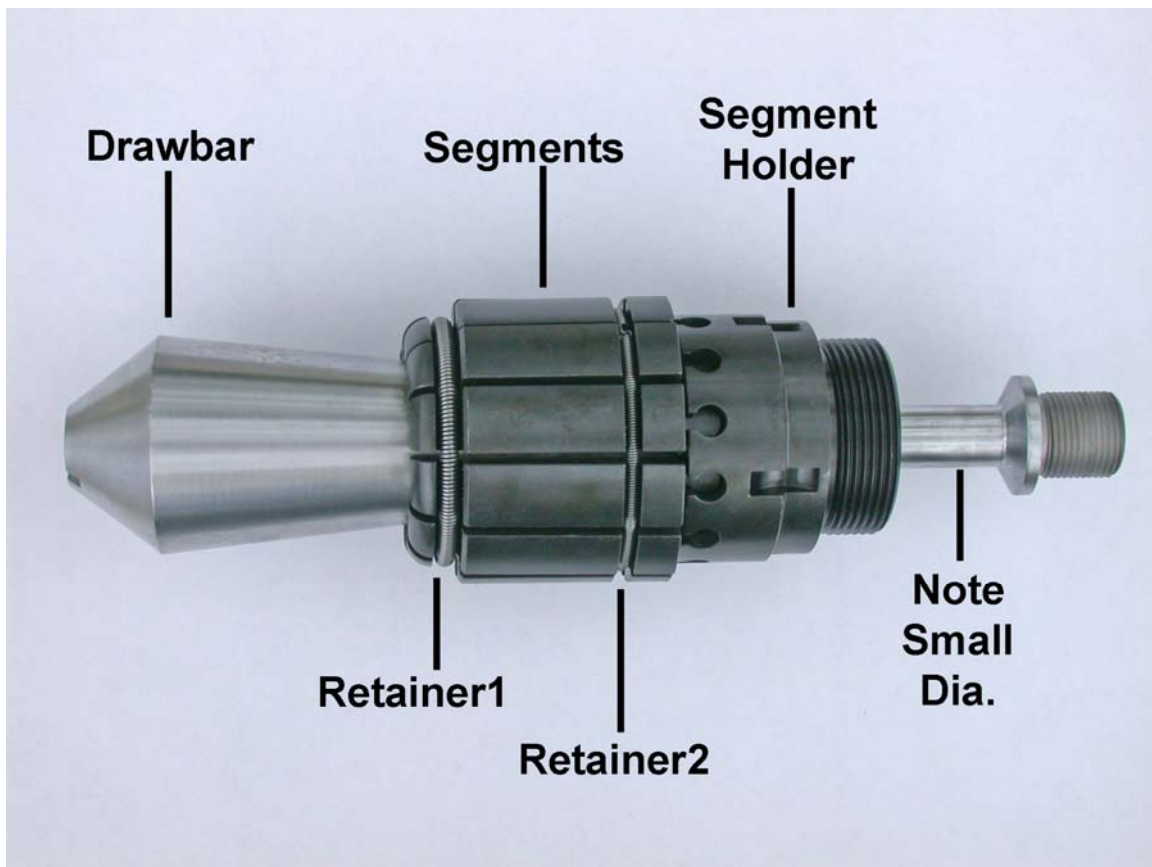


EXPANSION UNIT ASSEMBLY – 3x2-1/2"



<u>COMPONENT</u>	<u>PART NUMBER</u>	<u>COMMENT</u>
Complete Assembly	16173	BRUTE1, 2, 3 & XPANDER
Drawbar	16124	10-1/4" Long, 2-1/8" Dia.
Drawbar Adapter		Not Required
Segments	16114	Ships w/ Retainers 16145 & 16147
Segment Holder	16149	ID on Thread End – 1-1/4"
Adjusting Collar		Not Required
Retainer Springs Consists of:	16146	Complete set of Retainers
Retainer1 Spring	16147	16147 only, Package of 1
Retainer2 Springs	16145	16145 only, Package of 2